



## Scuff Resistance Tester - NXG

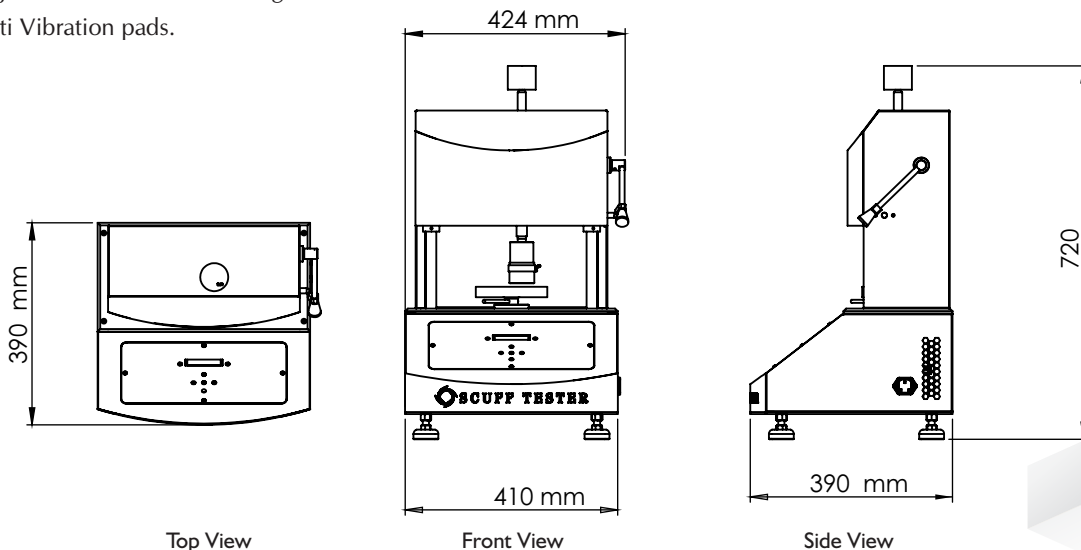


### Model No. PSR-295

**Scuff Resistance Tester NXG** is a unique test instrument to determine the color transfer from printed or coated material against rubbing. It checks the color transfer when one surface is rubbed against other when subjected to continuous rubbing under specified load.

PRESTO Scuff Resistance Tester is designed as per standards ASTM F2497-05, BS 3110:1959

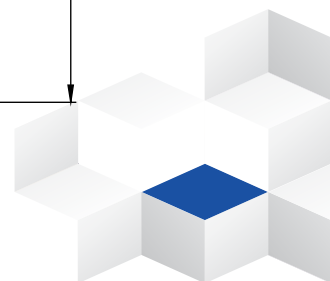
- Highly accurate test results under uniform load and specified movement.
- Uniform load by weights on test sample for evenness in testing
- Provision of Set number of counts through Digital Preset Counter
- Firm hold of test specimen by circular clips/clamps
- Motorised Geared system for scuff movement
- Digital Pre-settable counter upto 999999 counts with LCD Display
- Highly accurate and precise results under uniform load and rubbing clamp movement
- Accurate rpm of upper rotating discs using synchronous motor
- User friendly electronic controls and ergonomically designed feature
- Adjustable footrest for leveling.
- Anti Vibration pads.



Top View

Front View

Side View





# Presto Stantest Pvt. Ltd.

I-42, DLF Industrial Area Phase-1, Delhi Mathura Road, Faridabad 121003, Haryana, India  
P : 9210 903 903, +91 129 4272727, 93111 24302 E : info@prestogroup.com

• Faridabad • Sonipat • Kolkata • Mumbai • Pune • Ahmedabad  
• Chennai • Bangalore • Hyderabad

[www.prestogroup.com](http://www.prestogroup.com)



It is designed and produced according to ASTM & BS Standard and measures the number of double strokes need to cause Fuzz (appearance of loss of fuzz) and Peel (actual rupture of the surface).

## Key Specifications:

Test Weight	2 psi
Counter	6-digit Digital Preset type with LCD Display
Max.range of counter	999999
Least Count of counter	1
Rotational Speed	60 rpm $\pm$ 2 rpm
Lower Motor capacity	6 Watt
Upper Motor capacity	20 kg/cm <sup>2</sup> torque motor
Diameter of Upper Clamp	48 $\pm$ 2 mm
Diameter of Lower Clamp	120 $\pm$ 2 mm
Power	220V, 50Hz, single phase

## Highlights:

Control	Feather Touch Buttons
Safety Lock	Yes (with upper clamp)
Sample Preparation templates	3

## Optional :

- Dust removing blower system on request.
- Weights above 2 psi available on request.

Thank you customers for choosing us as your partners in growth !



\*All the above logos are the sole property of their respective owners and are used purely for depiction purposes only.

## OUR OTHER PRODUCTS :-

Box Compression Tester	Scuff Tester Prima	Tensile Tester Digital	Spectrocolorimeter	Cobb Sizing Tester	Digital GSM Balance

