



Scuff Resistance Tester – PRIMA SERIES



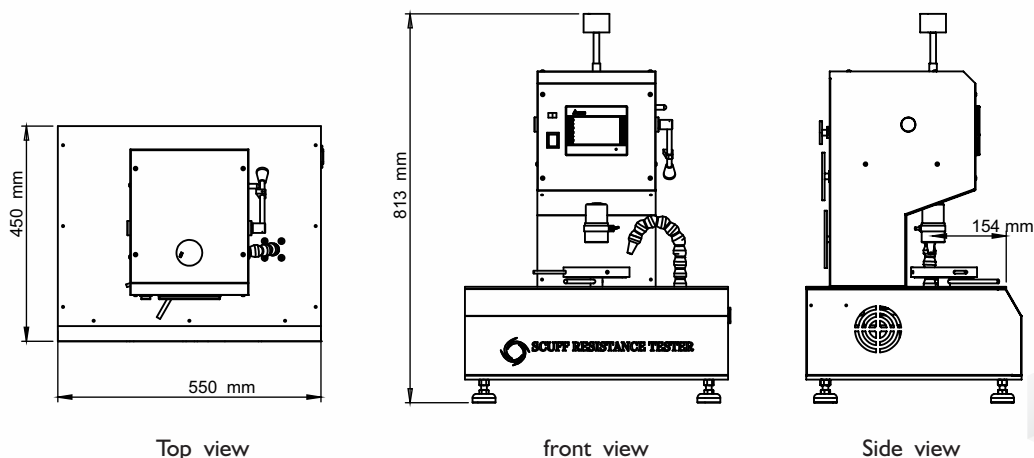
Model No. PSR - 292 (Prima)

Scuff Resistance Tester Prima Series is a unique test instrument to determine the color transfer from printed or coated material against rubbing. It checks the color transfer when one surface is rubbed against other when subjected to continuous rubbing under specified load. PRESTO Scuff Resistance Tester is designed as per standards ASTM F2497-05, BS 3110:1959.

Other model available are Scuff Resistance Tester – Digital Model.

- HMI based Touchscreen Model
- Motorised Weight arrangement on plunger for noise free working
- Highly accurate test results under uniform load and specified diameter.
- Uniform load by weights on test sample for evenness in testing
- Provision of Set number of counts through HMI.
- Firm hold of test specimen by circular clips/clamps
- Motorised Geared system for scuff movement
- Pre-settable counter upto 9999 counts inbuilt in HMI.
- Incorporated with blower to remove unnecessary particulates during testing.
- Highly accurate and precise results under uniform load and rubbing clamp movement
- Pass/Fail Criteria can be programmed
- Program Profile for selecting test parameters and performing the test.
- Easy Data Management. User can create product identification, user name, set count, set weight etc.
- Blower with set counts and Auto/Manual operation.
- USB option available for storing test data
- Data output in data record format.
- History Data involves User name, date, time, counts etc.
- Accurate rpm of rotating discs using induction motor driven system.
- User friendly electronic controls and ergonomically designed feature

It is designed and produced according to ASTM , BS Standard and measures the number of double strokes need to cause Fuzz (appearance of loss of fuzz) and Peel (actual rupture of the surface).





Presto Stantest Pvt. Ltd.

I-42, DLF Industrial Area Phase-1, Delhi Mathura Road, Faridabad 121003, Haryana, India
 P : 9210 903 903, +91 129 4272727, 93111 24302 E : info@prestogroup.com

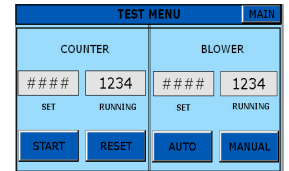
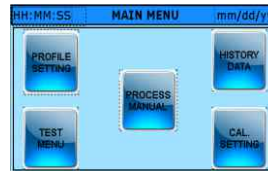
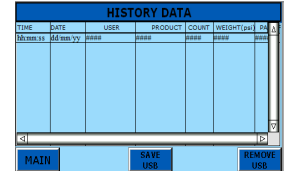
- Faridabad • Sonapat • Kolkata • Mumbai • Pune • Ahmedabad
- Chennai • Bangalore • Hyderabad

www.prestogroup.com



Key Specifications:

Test Weight	2 psi
Display	HMI (Touchscreen) TFT LCD 65536 Colors 480 x 272 pixels Size : 4.3 Inch
Counter	4-digit (Inbuilt in HMI)
Max. range of counter	9999
Least Count of counter	1
Blower	High speed blower rpm 2500 -2900
Rotational Speed	60rpm ± 1 rpm
Control	Programmable logic control
Diameter of Upper Clamp	48 ± 2 mm
Diameter of Lower Clamp	120 ± 2 mm
Power	220V, 50Hz, single phase



Highlights:

Safety Lock	Yes (with upper clamp)
Sample Preparation templates	3 nos.
Material	Mild Steel
Finish	Power coated Havel Gray & Blue combination finish and bright chrome / zinc plating for corrosion resistant finish
Dimensions	555x455x760 mm

First time in india

Features of the touch screen include :

- 8 function keys
- 4.3" (480x272) TFT LCD 65536 colors.
- Provides USB Host for USB flash drive.
- Supports CF memory card.
- USB 1.1 for high-speed screen data download.
- 480 x 272 pixels IP 65 complaint.
- 128Mb Flash Memory.

* Pen drive is not a part of supply.

Thank you customers for choosing us as your partners in growth !



*All the above logos are the sole property of their respective owners and are used purely for depiction purposes only.

OUR OTHER PRODUCTS :-

Box Compression Tester Digital cum Computerised	Scuff Resistance Tester	Tensile Tester Digital	Spectrocolorimeter	Cobb Sizing Tester	Digital GSM Balance

