

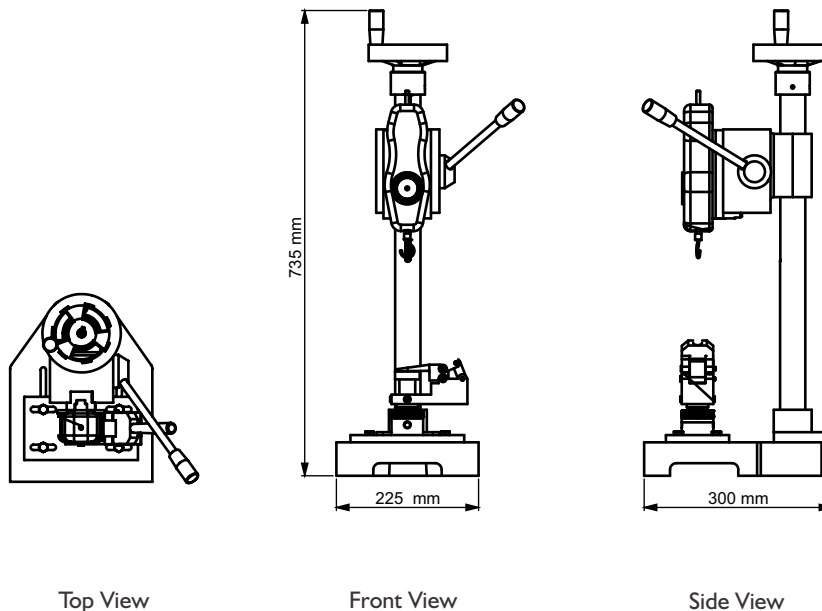


## Flip Cap Opening Tester



### Model No. PFCOP - 101

**Flip Cap Opening Tester** The assessment of flip cap strength is an important criterion especially in the design and manufacturer of PET packaging bottles. The measurement of a uniform force applied to the snap attachment shall be recorded by means of a force-measuring device. Once the peak force is registered on the force Scale, a reading will automatically store in memory of the gauge



Top View

Front View

Side View





# Presto Stantest Pvt. Ltd.

I-42, DLF Industrial Area Phase-1, Delhi Mathura Road, Faridabad 121003, Haryana, India  
P : 9210 903 903, +91 129 4272727, 93111 24302 E : info@prestogroup.com

• Faridabad • Sonipat • Kolkata • Mumbai • Pune • Ahmedabad  
• Chennai • Bangalore • Hyderabad

[www.prestogroup.com](http://www.prestogroup.com)



## Key Specification

Display	LCD Display
Range	20Kg
Power	220V , Single phase, 50 Hz
Accuracy	± 2% at Full Load (with master load)
Movement	Manually
Grip to Grip Separation	Max. 200mm
Least Count	0.01Kg
Measuring Unit	Kg/N/LBS

## Highlights:

Drive Mechanism	Thought Lead Screw
Sensor Structure	S type Sensor with Precision
Grippers	Notch type (as per sample)
Working Temperature	5° - 35°
Material	Mild Steel
Finish	Powder coated Havel Grey & Blue combination finish and bright chrome / zinc plating for corrosion resistant finish
Dimensions	225 x 300 x 735mm

Optional Features:

Data Interface Port also available on request

## Capacities Available

Capacities (Kg.)	Least Count
5	0.001Kg
10	0.01Kg
20	0.01Kg
50	0.01Kg
100	0.1Kg

\* Other capacity available as per requirement.

Thank you customers for choosing us as your partners in growth !



\*All the above logos are the sole property of their respective owners and are used purely for depiction purposes only.

## OUR OTHER PRODUCTS :-

					
Box Compression Tester Digital cum Computerised	Scuff Resistance Tester	Tensile Tester Digital	Spectrocolorimeter	Cobb Sizing Tester	Digital GSM Balance

