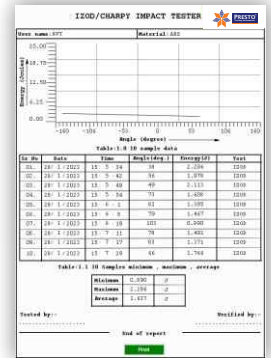




IZOD/Charpy Impact Tester NXG



Touch Screen Display

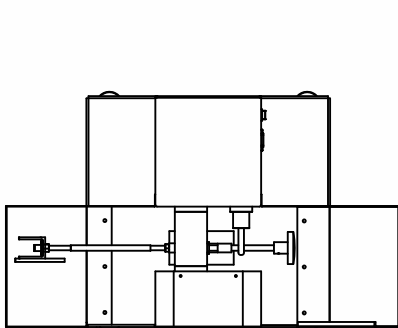


Model No. : IZC -222 NXG

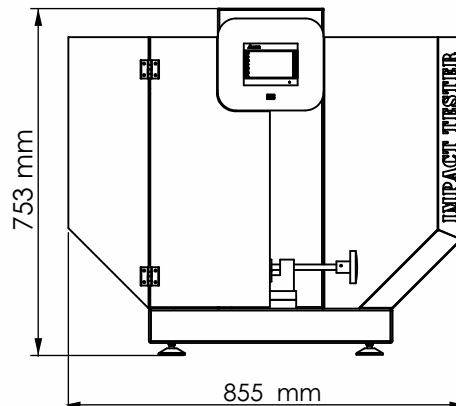
IZOD/Charpy Impact Tester–Touch Screen model is a consistent tool to measure the impact resistance of materials under sudden falling force or impact.

- Touch Screen display for accurate test results
- Display for impact/absorbed energy and angle of test specimen
- Separate fixtures for Izod and Charpy test.
- Highly accurate test results under impact forces.
- Strong gripping fixtures for Izod/Charpy tests.
- Electromagnetic Pendulum release mechanism
- Inbuilt calibration facility
- Graph test report is Energy Vs Angle
- Data can be tabulated in excel format
- Inbuilt hardware/software
- Calibration lock & key feature
- Real time editable Excel test report
- Test Report in PDF format.

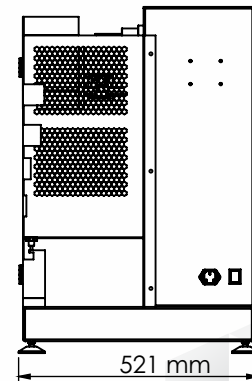
** Computer & Printer not a part of the offer



Top View



Front View



Side View



Presto Stantest Pvt. Ltd.

I-42, DLF Industrial Area Phase-1, Delhi Mathura Road, Faridabad 121003, Haryana, India
P : 9210 903 903, +91 129 4272727, 93111 24302 E : info@prestogroup.com

- Faridabad • Sonapat • Kolkata • Mumbai • Pune • Ahmedabad
- Chennai • Bangalore • Hyderabad

www.prestogroup.com



Izod/Charpy Impact Tester- digital cum Computerized model reveals the impact strength in terms of J/m. This tester is used to designed to check the impact strength of plastics.

Related Standards: ASTM D256-10, ASTM D618-13, ASTM D883-12, ASTM D1204-14, ASTM D1248-12, ASTM E691– 14

Key Specifications:

Capacity	Upto 21.68 Joules
Multiple test units	Joule/ m & kgcm / cm
Display	Touch Screen 4.3 " TFT Lcd
Accuracy	± 2% with in entire range
Resolution	R1-0.02, R2-0.05, R3-0.1, R4-0.2 J respectively
Power	220V AC, 5 Amp, Single phase, 50 Hz
Release angle of pendulum	150°
Radius of Izod Hammer	0.79 ± 0.12 mm
Radius of Charpy Hammer	3.17 ± 0.12 mm

Accessories included:

- Izod Test Fixture – 1 no.
- Charpy Test Fixture – 1 no.
- Izod Test hammer – 1 no.
(1 Jule Optional)
- Charpy Test hammer – 1 no.
- Weights (range of scales) – 4 nos.

Optional Accessory:

- Motorized Notch Cutter with V Notch
(Angle 45 Degree)

* Sample cutting die not a part of offer

* R1 scale impact energy optional with 1 Jule

The Izod/Charpy Impact test is significant in testing and evaluating the impact resistance of various plastic products. The test is used to determine the energy that is required to break a standard test specimen using the pendulum method. This highly reliable instrument is a must for all plastic testing laboratories and quality control departments.

The equipment is built on a rigid metallic base plate and finished in autumn grey & blue combination paint and bright chrome/zinc plating to give it a corrosion resistant finish.

The instrument comes complete with Instruction Manual, Electrical Wiring Diagram and Calibration Certificate traceable to NABL approved labs.

Thank you customers for choosing us as your partners in growth !



*All the above logos are the sole property of their respective owners and are used purely for depiction purposes only.

Our Other Products :

